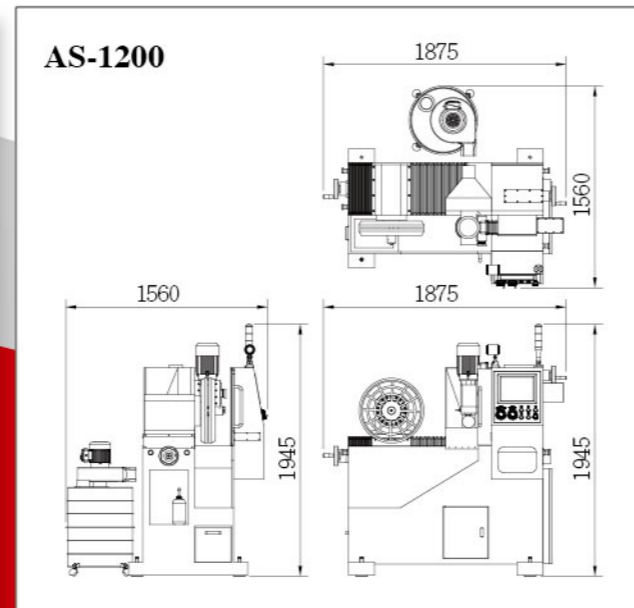
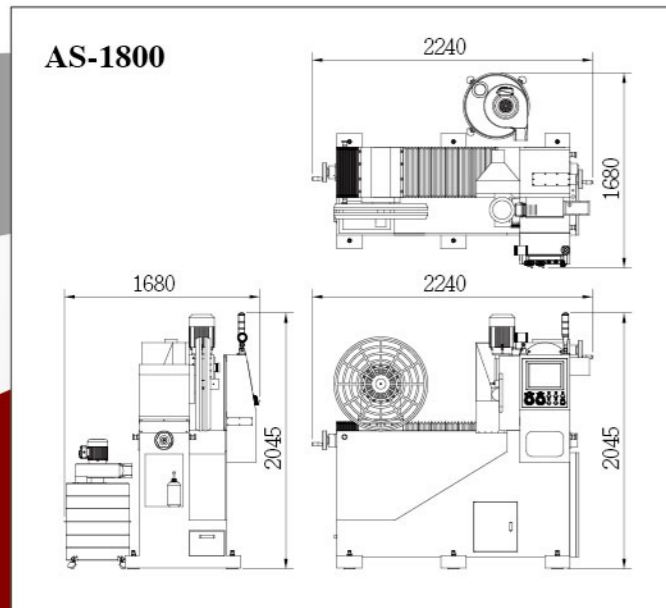
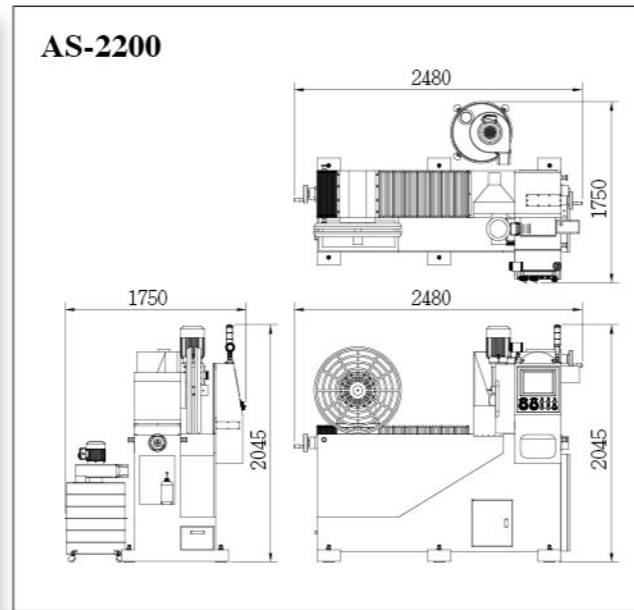
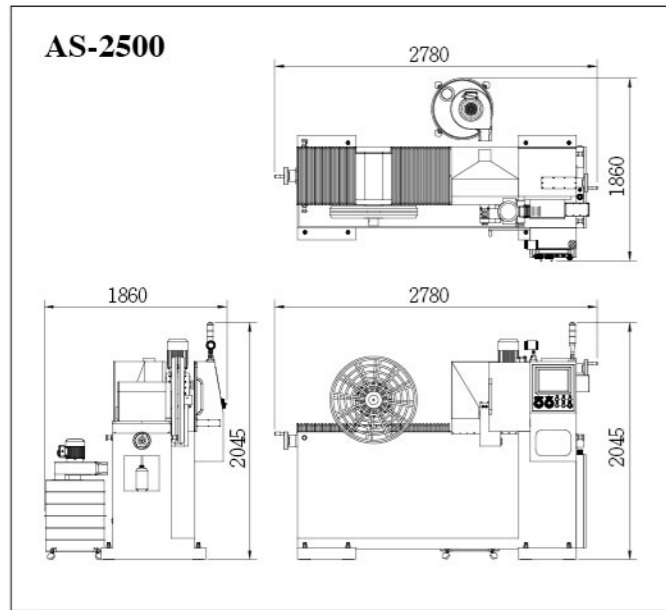


Machine Dimensions



**EYAN**

EYAN MACHINE TOOLS CO., LTD.

**GMSi Group, Inc.**

17 Town Forest Rd.  
Oxford, MA 01540

Tel: 508-987-0121  
email: [info@gmsigroup.com](mailto:info@gmsigroup.com)

**EYAN**

**AS-2500/2200/1800/1200  
CNC FRICTION SAW BLADE SHARPENING MACHINE**

# CNC

## CNC FRICTION SAW BLADE SHARPENING MACHINE

**AS-2500**  
**AS-2200**  
**AS-1800**  
**AS-1200**

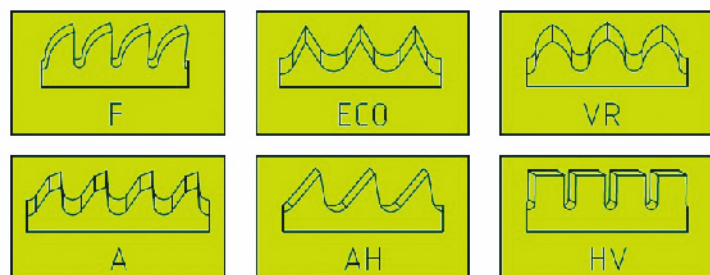
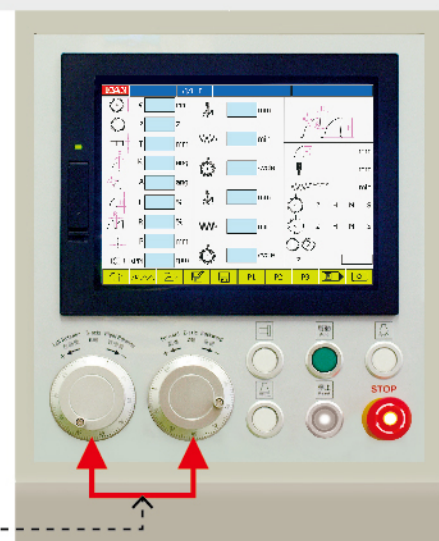
Two Stage dust collector, grinding dust can be collected and filtrated efficiently. Bag type dust collector is efficient; it could improve air quality efficiently.



Double hand wheel design. Operator can move Z axis & B axis at same time to position quickly. Also increase the grinding efficiency.



Electric Lubrication System



● CNC Controlled high-tech

● The newly designed touch screen with patented graphical display which makes no more language barriers. Any language speakers can learn quickly. Users can input all data including diameter, tooth number, tooth height, cutting angle, back clearance angle, feed speed, and grinding wheel rotation speed in **AS** series machines. Saw blades can be ground fast and economically. Even without senior technician, everyone can operate machine easily.

● High precision and easy to operate

● In order to grind all teeth of the saw blade perfectly, CNC automatic machine has been designed with two axis control. Besides standard F and A tooth type, additional tooth type are ECO, AH, VR and HV. Brand-new **AS** model is the best choice for your working requirement.

## Sharpening Machine for Hot and Friction (Cold) Saw Blades

### Features

- For sharpening saw blade diameter 1200–2500 mm, thickness–16mm automatic computer graphic grinding.
- Easiest adjustments and operation with no particular skills required.
- Extremely robust structure of mechanics and electrics for long lasting, trouble free operation.
- Highest operator safety: thanks to the horizontal arrangement of the grinding unit no gantries, stages or ladders required as operator aids.
- Minimum maintenance required because of a sturdy machine frame made as a welded assembly, ball screws for saw blade and grinding wheel traverse guides, heavy duty grinding spindle and generously sized motors.
- Quick machining of the saw blade given by high cycle and advance speeds.
- The integrated exhaust system ensures safe disposal of grinding dust to a separate reusable dust filter.

### Specifications

Item	AS-2500	AS-2200	AS-1800	AS-1200
Grinding Range	Ø1200 - Ø2500mm	Ø800 - Ø2200mm	Ø500 - Ø1800mm	Ø400 - Ø1200mm
Saw Blade Thickness	16mm	16mm	16mm	16mm
Grinding Speed	1-60 Teeth/Min	1-60 Teeth/Min	1-60 Teeth/Min	1-60 Teeth/Min
Cutting Angle	+10° -15°	+10° -15°	+10° -15°	+10° -15°
Grinding Wheel Diameter	Ø200mm	Ø200mm	Ø200mm	Ø200mm
B-AXIS MOTOR	AC SERVO MOTOR	AC SERVO MOTOR	AC SERVO MOTOR	AC SERVO MOTOR
Z-AXIS MOTOR	AC SERVO MOTOR	AC SERVO MOTOR	AC SERVO MOTOR	AC SERVO MOTOR
Grinding Wheel Motor	4KW	4KW	2.2KW	2.2KW
Dust Collector Motor	0.55KW	0.55KW	0.55KW	0.55KW
Power Require	7KW	7KW	5KW	5KW
Net Weight / Gross Weight	1956kg / 2320kg	1750kg / 2100kg	1688kg / 1980kg	1488kg / 1780kg
Packing Size	301*202*221cm	298*115*221cm	275*115*221cm	239*115*220cm

### Standard Accessories

Sawblade Clamp	1SET
Sawblade Clamp	1SET
Bushing	1PC/
Tool Box	1SET,
Instruction Manual	1 COPY
Grinding Wheel	10 PC
Dust Collector	1SET

### Optional Accessories

	
Filter Bag	CBN Grinding Wheel